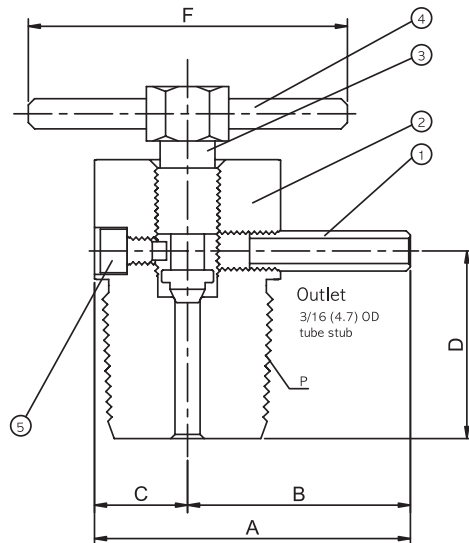
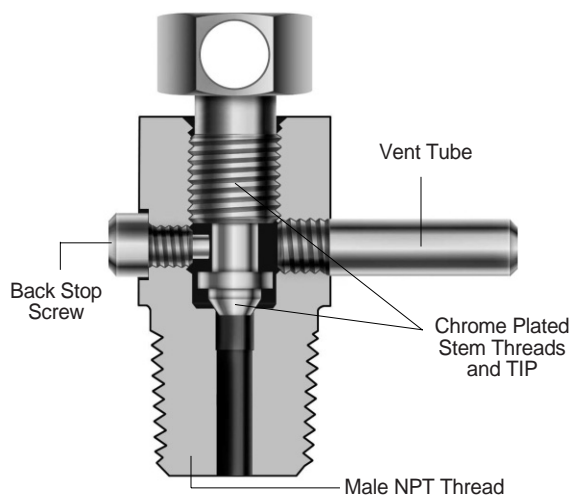
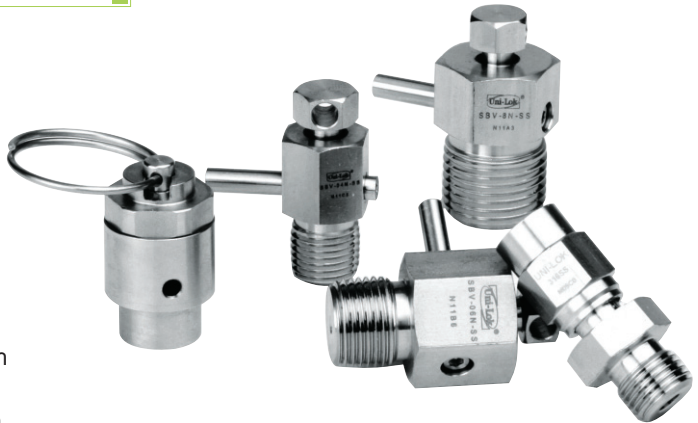


## SBL Series

Uni-Lok SBL Series Bleed Valves are used on Gauge Root Valve or Manifold Valve so as to vent signal line pressure to atmosphere before disassemble of instrument device and to make control device calibrate easily.

### Features

- Pressure rating up to 10000psi(689bar) at 38°C(100°F)
- Temperature rating from -53°C(-65°F) to 454°C(850°F) with Stainless Steel
- Back Stop Screw prevents accidental disassembly of stem
- Vent Tube directs excess liquid or gas from system lines
- Chrome plated stem threads and tip extend valve cycle life.



### Materials of Construction

| No. | Description      | Materials |
|-----|------------------|-----------|
| 1   | Vent             | 316SS     |
| 2   | Body             | 316SS     |
| 3   | Stem             | 316SS     |
| 4   | Handle(Optional) | 304SS     |
| 5   | Bolt             | 304SS     |

### Table of Dimension

| Part No. | P(NPT) | A    | B    | C    | D    | F    |
|----------|--------|------|------|------|------|------|
| SBL-02N  | 1/8    | 34.0 | 23.9 | 10.4 | 19.1 | 51.8 |
| SBL-04N  | 1/4    | 34.0 | 23.9 | 10.4 | 19.1 | 51.8 |
| SBL-06N  | 3/8    | 37.3 | 26.2 | 11.2 | 22.4 | 51.8 |
| SBL-08N  | 1/2    | 37.3 | 26.2 | 11.2 | 22.4 | 51.8 |

Stainless Steel Bar Handle is optional (-B) as SBL-02N-B

Barbed Vent Tube is optional (-VT) as SBL-08N-VT

Note : Dimensions are reference only, subject to change without prior notice.



**유니온금속공업(주)**  
UNION METAL INDUSTRIAL CO., LTD.

**본사 및 공장**  
인천광역시 남동구 고잔동 725-13번지  
남동공단 152블럭 12롯데  
TEL:(032)822-6600(대) FAX:(032)821-6604  
http://www.unilok.com  
E-mail : unilok@unilok.com

**서울직매장**  
서울특별시 구로구 구로동 604-1  
구로기계공구상가 D-31-110호  
TEL:(02)2676-6673(대) FAX:(02)2679-6673

**Head Office and Factory**  
152 Block-12Lot, Namdong Industrial Complex,  
725-13, Gojan-Dong, Namdong-Gu, Incheon, KOREA.  
TEL:+82-32-822-6600 FAX:+82-32-821-6604  
http://www.unilok.com  
E-mail:unilok@unilok.com

**Seoul Office**  
D-31-110, Guro Tools Center,  
604-1, Guro-Dong, Guro-Gu, Seoul, KOREA.  
TEL:+82-2-2676-6673 FAX:+82-2-2679-6673